

PVC Immersion Assembly OYA 611

Immersion assembly for oxygen sensors and compact pH/redox electrodes OPF 81/82



OYA 611



OYA 611 with
suspension bracket,
spray cleaning set and
sensor (e.g. OOS 4)

Areas of application

The immersion assembly OYA 611 is used for simple installation of sensors equipped with G 1, G 3/4 and NPT 3/4" threads. It is designed for use in open channels, basins and tanks.

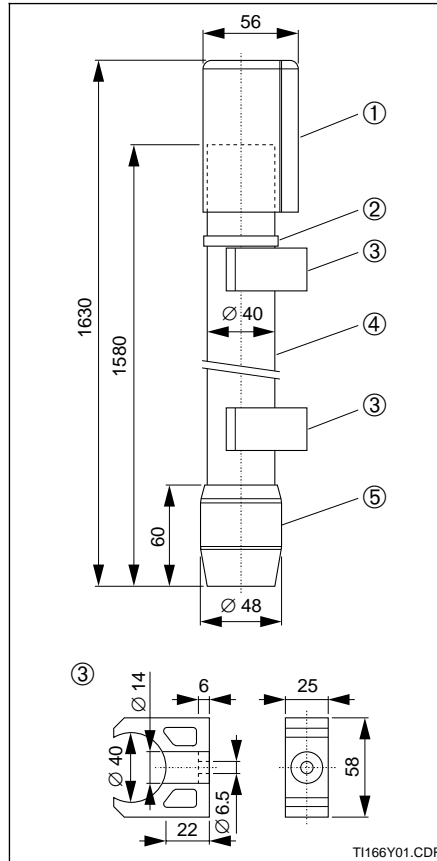
Typical applications are:

- Sewage treatment plant inflow and discharge monitoring
- Sewer monitoring
- Oxygen measurement in activated sludge basins
- Redox measurement in denitrification systems
- pH measurement for precipitant dosing
- pH measurement for waste water neutralisation
- Service water monitoring
- River water monitoring.

Benefits at a glance

- Simple and economical wall mounting with pipe clamps
- Individual adaptation of assembly length is possible
- Immersion depth adjustable by user via worm drive hose clip
- Simple sensor installation via G 1, G 3/4 and NPT 3/4" threads
- Two mounting types are possible:
 - Wall mounting
 - Suspension bracket
- Assembly is also available as an economically priced individual parts set
- Spray cleaning function can be retrofitted without modification of assembly.

Versions



OYA 611:
Components and
dimensions

- ① Protection cap
- ② Worm drive hose clip
- ③ Pipe clamps
- ④ PVC pipe
- ⑤ Threaded coupling

In the *standard version*, the assembly OYA 611-0 is completely assembled, and two pipe clamps and one worm drive hose clip for wall mounting are supplied.

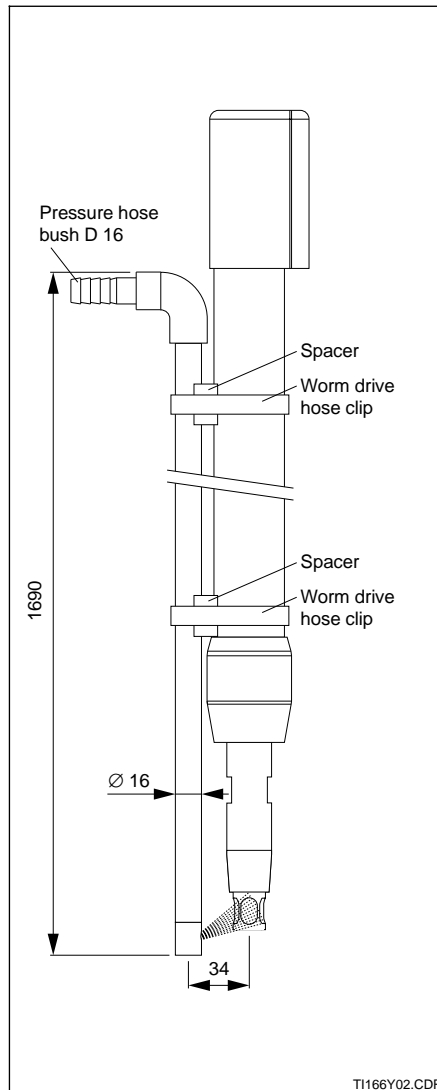
The *individual parts set* OYA 611-1 comprises:

- 1 × protection cap ①
- 1 × worm drive hose clip ②
- 2 × pipe clamps ③
- 1 × threaded coupling ⑤

The required PVC pipe measuring 40 × 3 mm (outside diameter × wall thickness according to DIN 8062) must be provided by the customer. We recommend the following PVC adhesives:

- Tangit, manufactured by Henkel
- PeViCol, manufactured by ASV Stübbe.

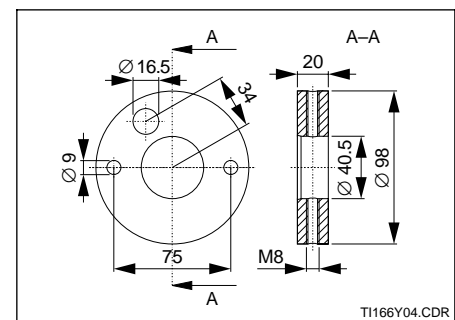
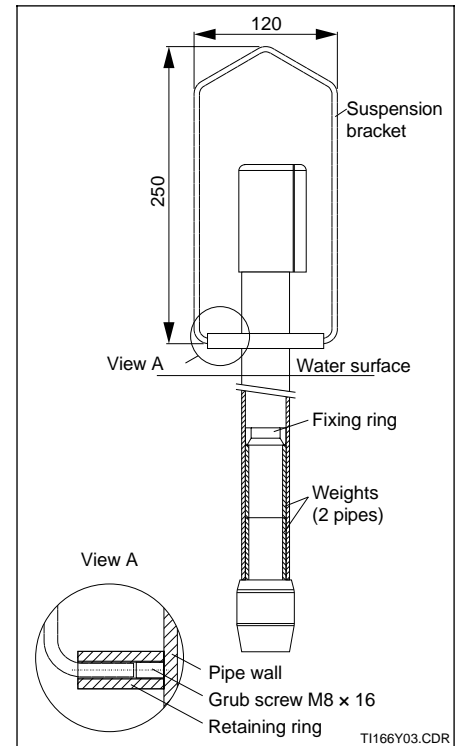
Accessories



- left:
Spray cleaning set
for OYA 611
- For all sensors
 - Can be retrofitted
 - Modification of assembly not required
 - Simple installation with worm drive hose clips made of SS 316

top right:
Attachment with
suspension bracket

bottom right:
Dimensions of retaining
ring for attachment of
suspension bracket



Accessories (continued)

❑ Mounting set for OYA 611
for attachment with suspension
bracket
(order no. 50085874)

❑ Spray cleaning set for OYA 611
for installation (or retrofitting)
on OYA 611
(order no. 50086336)

Technical data

Assembly OYA 611

Operating conditions

Operating pressure	unpressurized
Ambient temperature	0 ... 60 °C

Design

Total length	1630 mm
Pipe diameter / wall thickness (acc. to DIN 8062)	40 mm / 3 mm
Max. immersion depth	approx. 1400 mm
Cable entry	Ø 10 mm
Weight	approx. 1 kg
Mounting thread	version A: G 1 version B: NPT ¾" version C: G ¾"

Materials

Immersion tube	PVC-U
Protection cap	PA
Wall attachment	PE
Worm drive hose clip	SS 316

Mounting set for OYA 611

Design

Additional weight (2 pipes)	2 × 0.35 kg
-----------------------------	-------------

Materials

Suspension bracket	SS 316Ti
Additional weight	SS 304

Spray cleaning set for OYA 611

Operating conditions

Cleaner pressure	max. 6 bar (20 °C)
Ambient temperature	0 ... 60 °C

Design

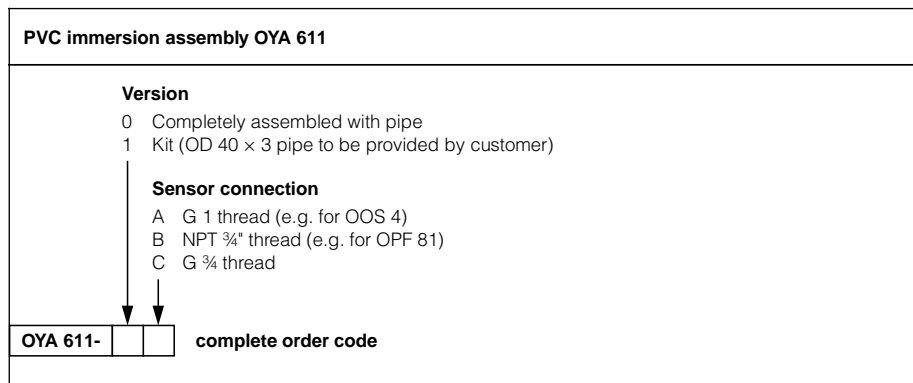
Length	1690 mm
Cleaner connection	pressure hose bush D 16

Materials

Pipe	PVC-U
Spacers	PA
Worm drive hose clip	SS 316

Subject to modifications.

Product structure



Supplementary documentation

- PVC immersion assembly OYA 611
Operating instructions BA 166e00
Order no. 51502344